

544400

544401

## Thermostats for Plant Rooms, Appliances & Display Cases

Control thermostats designed to suit environments requiring a high level of protection from moisture & dust

<b>544400</b>	0...55°C, with side-mounted capillary bulb 9.5mm Ø x 92mm
<b>544401</b>	-35...+35°C, with side-mounted capillary bulb 9.5mm Ø x 92mm

### Applications

- Plant room fans
- Walk-in cold storage
- Refrigeration display cases & cabinets
- Reptile houses

### Operation

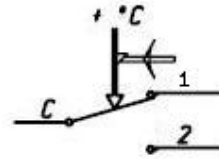
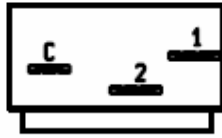
The 54440x thermostats utilize a liquid filled sensing bulb and bellows acting upon SPDT contacts for the automatic on/off control of the load or for remote indication. The desired temperature setting is made by way of manual adjustment of the external dial. The SPDT contacts operate when the set-point is reached.

### Range Selection

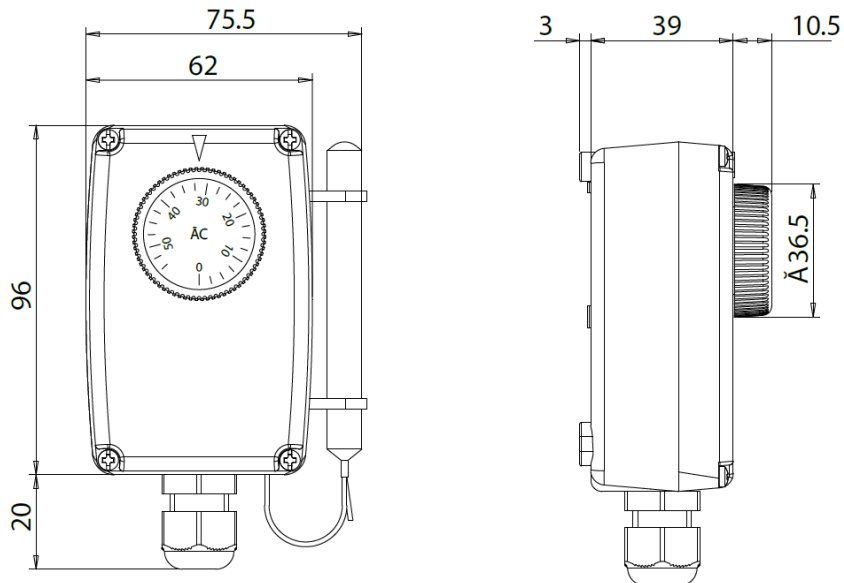
Order Code	Description	Mounting	Setting Range (°C)	Differential (°C)	Tolerance (°C±)	Contacts	IP
544400	Control thermostat	Wall	0...50	3	3	SPDT	54
544401	Control thermostat	Wall	-35...+35	3	3	SPDT	54



## Connections



## Dimensions



## Technical Data

Thermostat	544400	544401
Setting Range	0...50°C	-35...+35°C
Contacts:	250Vac max.	
Terminal 1	16(2.5)A max.	
Terminal 2	6A(2.5)A max.	
Capillary bending radius:	5mm min.	
Capillary diameter:	1.5mm	
Bulb dimensions:	92mmØ x 9.5mm	
Approvals:	CE	